

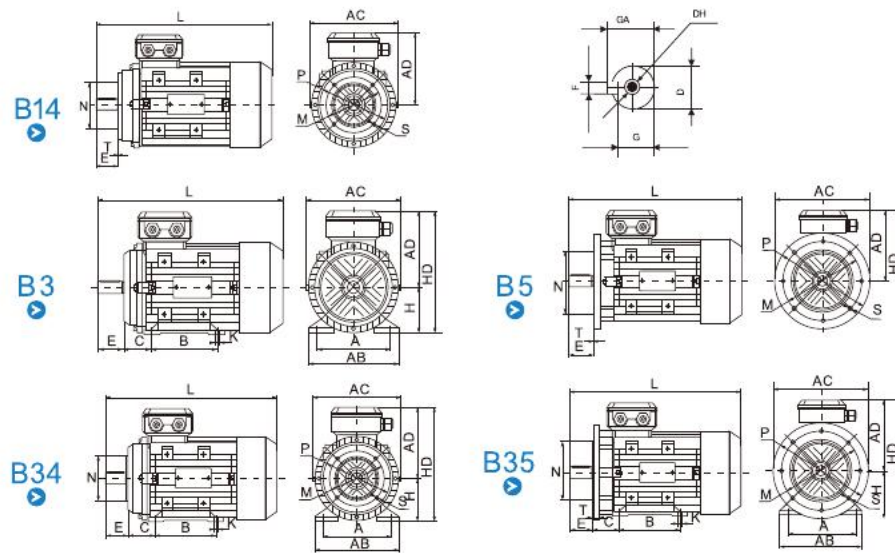
**FEATURES:**

The MS series aluminum housing three-phase asynchronous motors are the latest design and are made of selected quality materials and conform to the international IEC standard. MS motors have a very safe and reliable performance, are attractive in appearance and can be easily maintained. They have low noise with little vibration but at the same time are light weight and of simple construction. The MS series motors can be used for general electric motor applications.



**OPERATING CONDITIONS:**

Ambient temperature:  $-15^{\circ}\text{C} \leq 0 \leq 40^{\circ}\text{C}$   
 Altitude: Not exceeding 1000 meters  
 Rated voltage: 380V, 220-760V is available  
 Rated frequency: 50Hz/60Hz  
 Insulation class: Class B/F/H  
 Protection type: IP54, IP55  
 Cooling type: IC411



**INSTALLATION SIZE AND OVERALL DIMENSION**

Frame Size	Installation Size										Installation Size for B14					Installation Size for B5					Overall Dimensions				
	A	B	C	D	E	F	G	H	K	DH*	M	N	P	S	T	M	N	P	S	T	AB	AC	AD	HD	L
56	90	71	36	9	20	3	7.2	56	5.8	-	65	50	80	M5	2.5	100	80	120	7	3.0	110	110	78	134	201
63	100	80	40	11	23	4	8.5	63	7	M5	75	60	90	M5	2.5	115	95	140	10	3.0	125	116	100	162	223
71	112	90	45	14	30	5	11	71	7	M5	85	70	105	M6	2.5	130	110	160	10	3.5	140	134	109	180	248
80	125	100	50	19	40	6	16	80	10	M6	100	80	120	M6	3.0	165	130	200	12	3.5	158	144	116	196	277
90S	140	100	56	24	50	8	20	90	10	M8	115	95	140	M8	3.0	165	130	200	12	3.5	175	159	120	210	314
90L	140	125	56	24	50	8	24	90	10	M8	115	95	140	M8	3.0	165	130	200	12	3.5	175	159	120	210	334
100	160	140	63	28	60	8	24	100	12	M10	130	110	160	M8	3.5	215	180	250	15	4.0	200	191	153	255	381
112	190	140	70	28	60	8	24	112	12	M10	130	110	160	M8	3.5	215	180	250	15	4.0	225	212	164	280	406
132S	216	140	89	38	80	10	33	132	12	M12	165	130	200	M10	4.0	265	230	300	15	4.0	260	260	200	314	473
132M	216	178	89	38	80	10	33	132	12	M12	165	130	200	M10	4.0	265	230	300	15	4.0	260	260	200	314	505
160M	254	210	108	42	110	12	37	160	15	M16	215	180	250	M12	4.0	300	250	350	19	5.0	320	330	255	383	606
160L	254	254	108	42	110	12	37	160	15	M16	215	180	250	M12	4.0	300	250	350	19	5.0	320	330	255	383	650

DH\*: Available only on request

**TECHNICAL DATA**

Type	Rate Power (KW)	Current(A)	P.F.(cos)	Eff.(%)	Speed (r/min)	Locked Current Rated Current I <sub>st</sub> /I <sub>n</sub>	Locked Torque Rated Torque T <sub>st</sub> /T <sub>n</sub>	Max. Torque Rated Torque T <sub>max</sub> /T <sub>n</sub>	N.W.kg	QTY/20'	Packing size (mm)
380V 50Hz Synchronous Speed 3000r/min (2 Poles)											
MS561-2	0.09	0.30	0.76	60	2750	2.3	6.0	2.4	3.6	6000	220X120X165
MS562-2	0.12	0.37	0.78	63	2750	2.3	6.0	2.4	4.0	5000	220X120X165
MS631-2	0.18	0.53	0.80	65	2780	2.3	6.0	2.4	4.1	4400	260X150X165
MS632-2	0.25	0.69	0.81	68	2780	2.3	6.0	2.4	4.5	4400	260X150X165
MS711-2	0.37	0.99	0.81	70	2800	2.3	6.0	2.4	5.6	3000	285X170X200
MS712-2	0.55	1.40	0.82	73	2800	2.3	6.0	2.4	6.2	3000	285X170X200
MS801-2	0.75	1.83	0.83	75	2825	2.3	6.0	2.4	9.1	2200	330X190X215
MS802-2	1.1	2.58	0.84	77	2825	2.3	6.5	2.4	10	2000	330X190X215
MS90S-2	1.5	3.43	0.84	79	2840	2.3	6.5	2.4	12	1500	375X210X230
MS90L-2	2.2	4.85	0.85	81	2840	2.3	6.5	2.4	13.2	1500	375X210X230
MS100L-2	3	6.31	0.87	83	2880	2.3	7.0	2.4	22	960	400X225X320
MS112M-2	4	8.12	0.88	85	2890	2.3	7.0	2.4	30	700	420X255X335
MS132S1-2	5.5	11.0	0.88	86	2900	2.3	7.0	2.4	43	460	515X345X375
MS132S2-2	7.5	14.9	0.88	87	2900	2.3	7.0	2.4	49	450	515X345X375
MS160M1-2	11	21.3	0.89	88	2930	2.3	7.0	2.4	69	190	700X450X420
MS160M2-2	15	28.8	0.89	89	2930	2.3	7.0	2.4	78	190	700X450X420
MS160L-2	18.5	34.7	0.90	90	2930	2.3	7.0	2.4	81	190	700X450X420
380V 50Hz Synchronous Speed 1500r/min (4 Poles)											
MS561-4	0.06	0.27	0.68	50	1300	2.2	5.5	2.3	3.6	6000	220X120X165
MS562-4	0.09	0.36	0.70	54	1300	2.2	5.5	2.3	4	5000	220X120X165
MS631-4	0.12	0.44	0.72	57	1330	2.2	5.5	2.3	4	4400	260X150X165
MS632-4	0.18	0.62	0.73	60	1330	2.2	5.5	2.3	4.5	4400	260X150X165
MS711-4	0.25	0.79	0.74	65	1360	2.2	5.5	2.3	5.6	3000	285X170X160
MS712-4	0.37	1.12	0.75	67	1360	2.2	5.5	2.3	6	3000	285X170X160
MS801-4	0.55	1.57	0.75	71	1380	2.3	6.0	2.4	9	2200	320X190X215
MS802-4	0.75	2.05	0.76	73	1380	2.3	6.0	2.4	10	2200	320X190X215
MS90S-4	1.1	2.89	0.77	75	1390	2.3	6.0	2.4	12	1500	375X210X230
MS90L-4	1.5	3.70	0.79	78	1390	2.3	6.0	2.4	13.2	1500	375X210X230
MS100L1-4	2.2	5.16	0.81	80	1410	2.3	7.0	2.4	21	960	400X225X320
MS100L2-4	3	6.78	0.82	82	1410	2.3	7.0	2.4	24.8	950	400X225X320
MS112M-4	4	8.82	0.82	84	1435	2.3	7.0	2.4	29	700	420X255X290
MS132S-4	5.5	11.8	0.83	85	1445	2.3	7.0	2.4	44	460	510X345X375
MS132M-4	7.5	15.6	0.84	87	1445	2.3	7.0	2.4	54	450	520X345X375
MS160M-4	11	22.3	0.84	88	1450	2.2	7.0	2.3	71	190	700X450X420
MS160L-4	15	30.1	0.85	89	1450	2.2	7.0	2.3	79	190	700X450X420
380V 50Hz Synchronous Speed 1000r/min (6 Poles)											
MS711-6	0.18	0.74	0.66	56	900	2.0	5.5	2.2	5.4	3000	285X170X200
MS712-6	0.25	0.95	0.68	59	900	2.0	5.5	2.2	6.0	3000	285X170X200
MS801-6	0.37	1.30	0.70	62	900	2.0	5.5	2.2	9	2200	320X190X215
MS802-6	0.55	1.79	0.72	65	900	2.0	5.5	2.2	11	2200	320X190X215
MS90S-6	0.75	2.29	0.72	69	910	2.1	5.5	2.2	13	1500	375X210X235
MS90L-6	1.1	3.18	0.73	72	910	2.1	5.5	2.2	14.2	1500	375X210X235
MS100L-6	1.5	3.95	0.76	76	940	2.1	5.5	2.2	21	960	400X225X320
MS112M-6	2.2	5.57	0.76	79	940	2.2	6.5	2.3	27	700	420X255X335
MS132S-6	3	7.40	0.76	81	960	2.2	6.5	2.3	44	460	520X345X375
MS132M1-6	4	9.75	0.76	82	960	2.2	6.5	2.3	52	450	520X345X375
MS132M2-6	5.5	12.9	0.77	84	960	2.2	6.5	2.3	58	450	520X345X375
MS160M-6	7.5	17.0	0.77	86	970	2.2	6.5	2.3	70	190	700X450X420
MS160L-6	11	24.2	0.78	87	970	2.2	6.5	2.3	79	190	700X450X420
380V 50Hz Synchronous Speed 750r/min (8 Poles)											
MS801-8	0.18	0.88	0.61	51	630	1.8	4.0	1.9	8.8	2200	320X190X215
MS802-8	0.25	1.15	0.61	54	640	1.8	4.0	1.9	11	2200	320X190X215
MS90S-8	0.37	1.49	0.61	62	660	1.8	4.0	1.9	13	1500	375X210X235
MS90L-8	0.55	2.18	0.61	63	660	1.8	4.0	2.0	14	1500	375X210X235
MS100L1-8	0.75	2.53	0.67	71	690	1.8	4.0	2.0	20	960	400X225X320
MS100L2-8	1.1	3.32	0.69	73	690	1.8	5.0	2.0	26	960	400X225X320
MS112M-8	1.5	4.50	0.69	75	680	1.8	5.0	2.0	43	700	420X255X335
MS132S-8	2.2	6.00	0.71	78	710	1.8	6.0	2.0	51	450	520X345X375
MS132M-8	3.0	7.90	0.73	79	710	1.8	6.0	2.0	57	450	520X345X375
MS160M1-8	4.0	10.3	0.73	81	720	1.9	6.0	2.0	69	190	700X450X420
MS160M2-8	5.5	13.6	0.74	83	720	2.0	6.0	2.0	78	190	700X450X420
MS160L-8	7.5	17.8	0.75	85	720	2.0	6.0	2.0	81	190	700X450X420